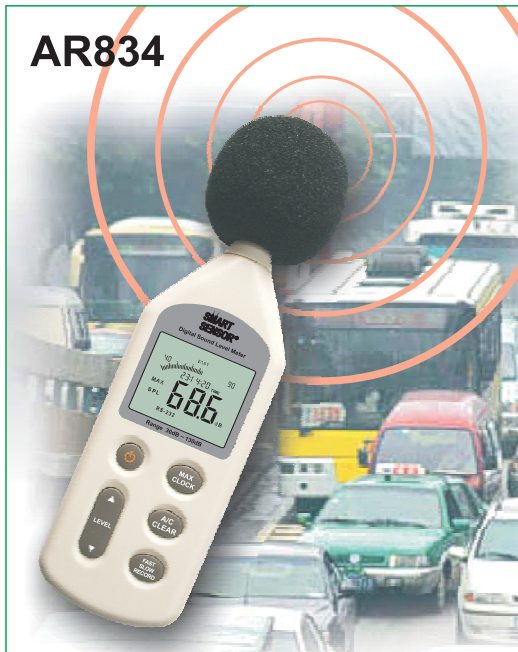


## DIGITAL SOUND LEVEL METER



### General features and functions :

This product has been designed to meet the measurement requirement of noise engineers, noise quality control and health prevention in various environments. Such as noise measurement in factory, office, traffic road, family and all other noise measurement applications.

Newly designed exterior appearance, accompanied by a USB computer interface.

1. Different A/C weighting selection
2. High/low speed rate selection
3. Large LCD display
4. Maximum value holding function
5. Calendar function
6. USB computer interface and supporting computer communication software
7. May record upto 43690 noise data

Measurement range :      Measurement accuracy:  
 30~130dBA                  ±1.5dB  
 35~130dBC

Power supply: 4\*1.5V AA alkaline battery or power supply adapter

### Technical Specifications:

|                                 |                 |
|---------------------------------|-----------------|
| Frequency Range                 | 31.5Hz~8.5KHz   |
| Linearity Range                 | 50dB            |
| AC/DC output                    | √               |
| Low battery indication          | √               |
| Over Range Indication           | √               |
| Digit & Resolution              | 5 digit & 0.1dB |
| Microphone                      | √               |
| Sound Measuring Level Selection | √               |
| Sampling Frequency              | 2 times/sec     |

### USB1.1

Accessory :

CD-ROM  
 ( Contains communication software )  
 Applicable operation system : Windows 95/98/  
 NT4.0/Me/2000/XP/2003

USB Data Cable



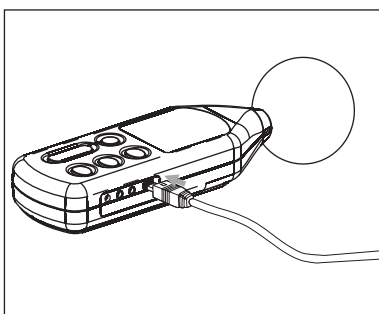
DC/AC Output Pin

### Packing Information

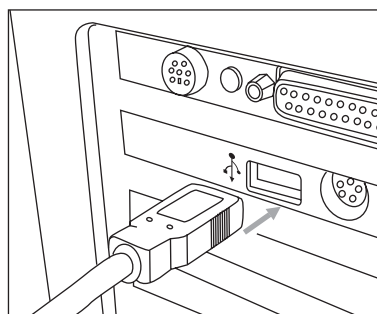
|                              |                  |
|------------------------------|------------------|
| Product Net Weight           | 300g             |
| Product Size                 | 265*70*35mm      |
| Packing                      | Gift box         |
| Standard Quantity Per Carton | 20               |
| Standard Carton Size         | 62.5*45.0*28.5cm |
| Standard Carton Gross Weight | 18.7kg           |

### Connecting the unit with computer host:

- Insert the smaller end of USB wire into the USB interface on noise level meter side, As follows diagram:



- Insert other end of USB wire into the interface port at back computer, As follows diagram:



- Once connected, can take online measurement, also can make computer data analysis for measured results. As follows:

